

## ACCESSORIES

### ViaLite 19" SUBRACKS & CASES, LRK1S & LRK2S

PPM offers a range of 19" rack cases for use with the **ViaLite** plug-in modules. These cases are suitable for desktop use or 19" rack mounting.



The cases accommodate up to 8 plug-in RF/data modules and 2 plug-in power supplies.

The hot-swappable, dual power supply capability provides full redundancy and maximum reliability to avoid traffic loss in the event of a power supply failure.

The cases incorporate a backplane PCB for the distribution of DC power, status alarms and data.

A "clean-contact" summary alarm output is available for single point detection of any failure in the system.

The **ViaLite** plug-in modules simply plug into the case, allowing the user to quickly and easily upgrade the system with additional modules at any time.

All of the module alarm outputs are routed to a single D-type connector on the rear panel of the case. This permits the integration of the **ViaLite** equipment into a Maintenance & Control system. In addition, a **ViaLite** Alarm Concentrator Module can be placed in module position 8. This routes all local alarms to a remote location over optical fibre. It also provides a local display of the alarm status of remote modules, and an RS232 connection to an external device e.g. PC.

#### 19" SUBRACK / CASE SPECIFICATIONS

#### LRK1S

#### LRK2S

Description	Desktop/19" Rack Mounting Case	19" Rack Mounting Case
Max. No. of Plug-In modules	8	8
19" Rack Mounting	Yes (with supplied kit)	Yes
Desktop Mounting	Yes	Not Suitable
Height	3U, 132.5mm	3U, 132.6mm
Width	84HP (448.8mm)	84HP (448.8mm)
Depth (excl. handles)	345mm	325mm
Weight (excl. modules)	7kg	5kg
Operating Temperature	-10°C to +50°C	-10°C to +50°C
Power Supply compatibility	LPS-M, LPS-R	LPS-M, LPS-R
<b>ViaLite</b> plug-in module compatibility	All types	All types
Data Connector	15way Female D-Sub with screwlock termination for each module position. Data input/output for data modules. Auxiliary DC output (module type dependent)	
Alarm Concentrator Connector	This concentrates the alarms from each module to a common point for access by the user. (CONN9 25way Female D-Sub with screwlock termination) A +12V supply is available at the connector. Max. current from the connector is 250mA.	

## ViaLite 19" 1U RACK CASE, 75004

A 1U high 19" Rack Case is also available, accommodating up to 3 modules, and containing a single built-in power supply. This offers a highly compact solution.



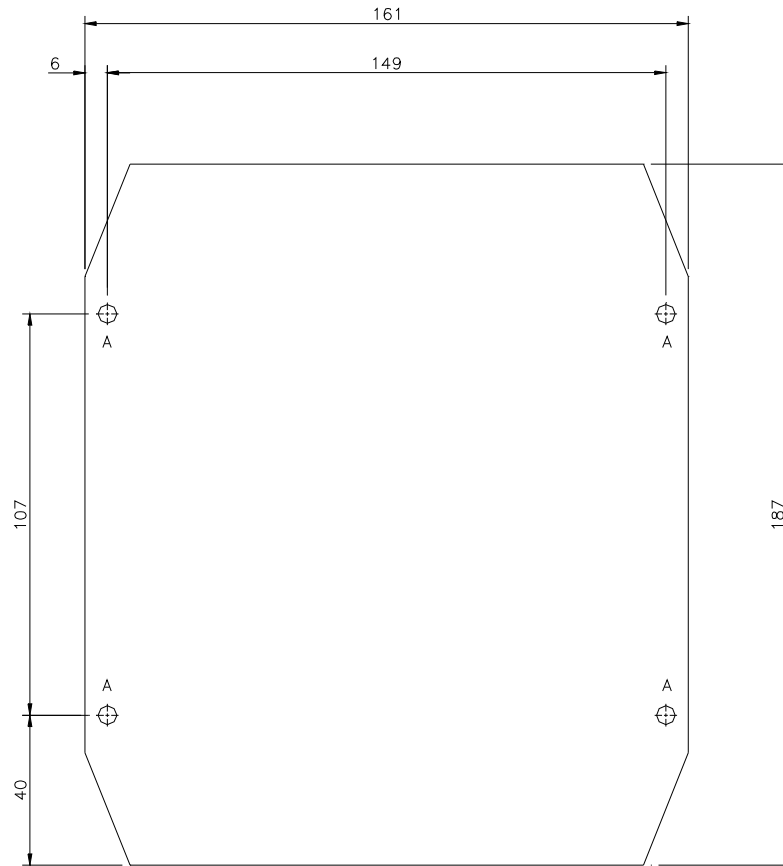
19" 1U RACK CASE SPECIFICATIONS	75004
Description	19" 1U Rack Mounting Case
Max. No. of Plug-In modules	3
19" Rack Mounting	Yes
Desktop Mounting	Yes
Height	1U, (44mm)
Width (excl. ears)	84HP (450mm)
Depth (excl. modules)	191.3
Weight (excl. modules)	5kg
Operating Temperature	-10°C to +50°C
Power Supply	
Input Range	90 - 264Vac
Input Connector	3-pin IEC320
<b>ViaLite</b> plug-in module compatibility	All types
Data Connector	15way Female D-Sub with screwlock termination for each module position. Data input/output for data modules. Auxiliary DC output (module type dependent)

## ViaLite CONVERTER SLEEVE 75003

The Converter Sleeve 75003 converts the plug-in module into a standalone unit, for operation at a remote location. Power may be provided from an external DC source or from a PPM 12V mains power supply unit (part No 73502) via the 2.1mm connector or from a PPM panel mounting supply (part No LPS-CS) via the 15 pin D-type connector. Alarms and DC monitor information from the plug-in module are made available at the 15 pin D-type connector on the rear panel.



### Fixing Dimensions



## ViaLite MODULE HOUSINGS

**ViaLite** modules are available in several housing options to suit different applications. Refer to individual datasheets to confirm which housings are available for each module type.

### Plug-in Module

Plug-in modules are available for mounting in PPM's **ViaLite** 19" rack cases and converter sleeves.



### Shielded Remote Module

Some product variants are available in a compact Shielded Remote Module. This housing shields the internal electronics against very high levels of electrical interference. Improved thermal management allows the unit to operate over a much wider temperature range. Power is provided from shielded mains power supply 73507 or another external DC source.

In outdoor environments, the Shielded Remote Module may be housed with a Shielded Power Supply in an **IP66 Environmental Enclosure** (see separate datasheet).



## ViaLite MODULE HOUSING SPECIFICATIONS

	Plug-In	Converter Sleeve 75003	Shielded Remote	IP66 Environmental Enclosure
Dimensions	3U x 7HP x 160mm	190x60x38mm	160x90x36mm	360x240x150mm
Weight	600g	600g	750g	5kg excl. Shielded Remote Module and Mains Power Supply
Power Supply	+12V from 19" Rack Case LRK1S, LRK2S	+12V e.g. from PPM Pt. No.'s 73502 or LPS-CS	+12V	Mains supply to 73507 power supply mounted internally
Power/Data Connector	Via 19" rack case backplane	Power only: 2.1mm socket, centre positive  Power + Alarm/Data: 15way Female D-type with screwlock termination	Lemo 1B (8-pole) Socket	Mains power via 8mm dia. flying lead  RF connection via N-type connector
Current Consumption	See individual module datasheets			

## ViaLite POWER SUPPLIES

### 19" Rack Case Power Supplies - LPS-M, LPS-R

The LPS-M and LPS-R power supplies provide DC power to all plug-in modules in the 19" rack case. Together the modules provide dual redundancy operation. Separate AC mains inputs mean that they can be operated from different AC supplies for even higher levels of availability. During normal operation, the LPS-M provides most of the demand current. In the event of a failure of LPS-M, the reserve LPS-R automatically provides DC power to all modules. The front panel FAULT LED provides a visual indication of failure, and an open-collector alarm output is available for use at the alarm output connector on the **ViaLite** case.

The units are fan-cooled for maximum reliability, and each individual PSU offers an MTBF in excess of 130,000 hours at an ambient temperature of 50°C.



Dimensions (Width x Height)	14HP (71.12mm) x 3U x 160mm excl. front panel mounted fan etc.
Versions	Main (to provide most of the load current when used with Reserve) Reserve (to provide minimal load current when used with Main, and 100% in the event of a Main failure)
Weight	1.0kg
Mains Power	88-121 V/207-243V, 48-62Hz, 2.0A Max
Input Connector	IEC320 Rear of Module
Fuse	Barrel fuseholder on rear of panel for 1 off 5x20mm 250V, 2AT Anti-surge fuse.
Output Voltage	12V+/-0.5V
Maximum Working Output Current	5A
Minimum Load Current	0A
Case Operating Temperature	0°C to +55°C
Humidity	0-95%, Non-condensing
Hot-swapping and Dual Redundant	Yes
Status Indicators	FAULT – Red LED illuminates if PSU fails OVER TEMP – Amber LED illuminates if internal temperature exceeds 55°C +12V – Green LED illuminates if PSU is OK
Backplane alarm outputs	Open collector – “Unit failed”

## Plug-In 12V Mains Supply with 2.1mm Connector Plug – 73502

Low cost power supply for connection to Converter Sleeve 75003 to power plug-in module. Economical supply suitable for less critical applications.

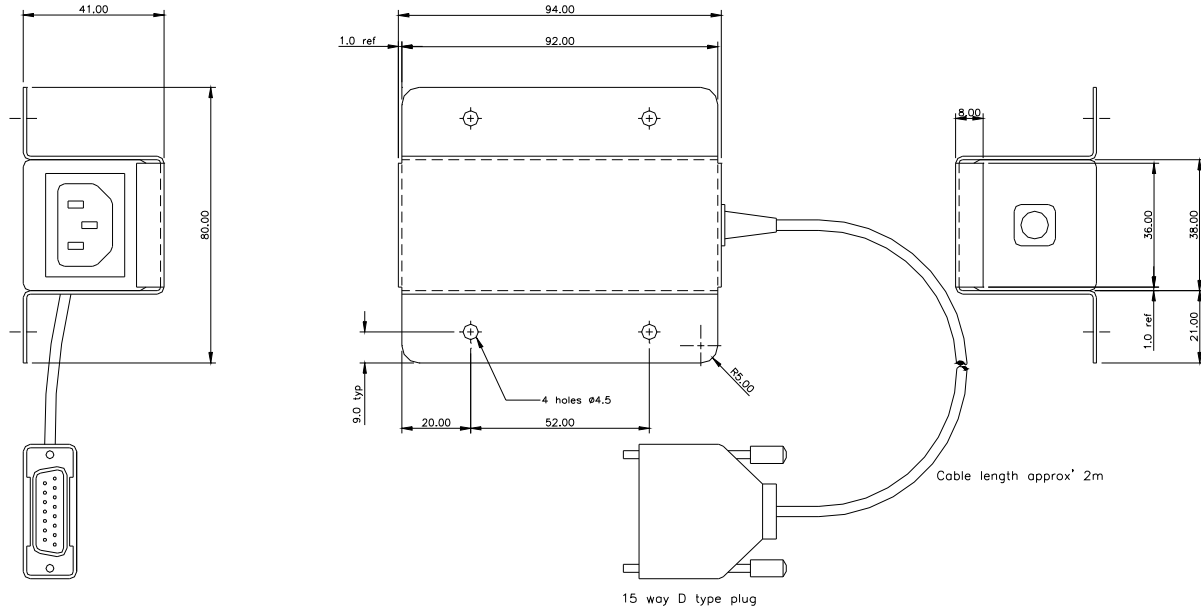


Input Voltage Range	90-264Vac, 50/60Hz, 0.75A max.
Output Voltage	12V +/-0.25V at up to 1A
Operating Temperature	0° to 40°C
Humidity	5 to 95% RH non-condensing

## Panel Mounting 12V Mains Supply with 15 way D-type connector – LPS-CS

Panel mounting supply with 15way D-type connector for connection to Converter Sleeve 75003 to power plug-in module. Suitable for demanding high reliability applications.

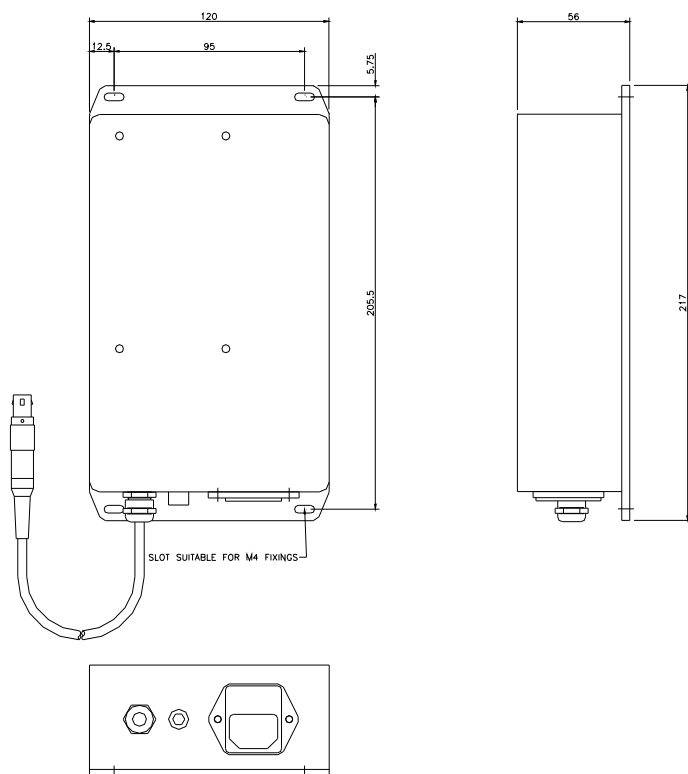
Material : 1mm thick Aluminium, black anodised.



Input Voltage Range	90-264Vac, 50/60Hz, 0.75A max.
Input Connector	3pin IEC320
Output Voltage	12V +/-0.25V at up to 1.25A
Operating Temperature	0° to 40°C
Humidity	5 to 95% RH non-condensing

## Shielded 12V Power Supply for Shielded Remote Module - 73507

Panel mounting supply with Lemo 1B connector for connection to Shielded Remote Module.



Input Voltage Range	100-240Vac, 50/60Hz, 0.75A max.
Input Connector	3pin IEC320
Output Voltage	12V +/-0.25V at up to 0.5A
Output Connector	Lemo 1B for Shielded Remote Modules
Operating Temperature	0° to 40°C
Humidity	5 to 95% RH non-condensing

### CONTACT US

For further details of this or any other product from PPM, please contact us at:

PPM Ltd, 65 Shrivenham Hundred Business Park, Watchfield, Swindon, Wiltshire, SN6 8TY, UK.

Email: [sales@ppm.co.uk](mailto:sales@ppm.co.uk), Tel.: +44 (0)1793 784389 Fax: +44 (0)1793 784391

Web: [www.vialite.co.uk](http://www.vialite.co.uk) or [www.ppm.co.uk](http://www.ppm.co.uk)